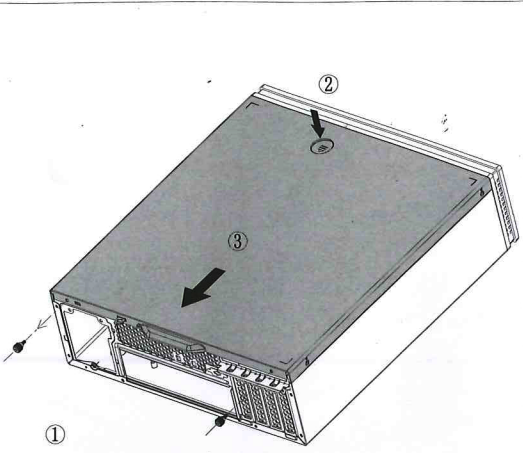
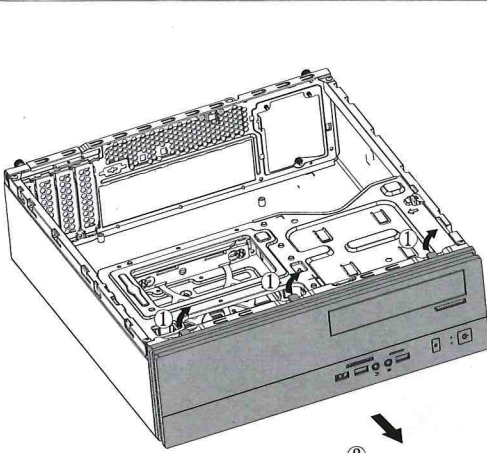


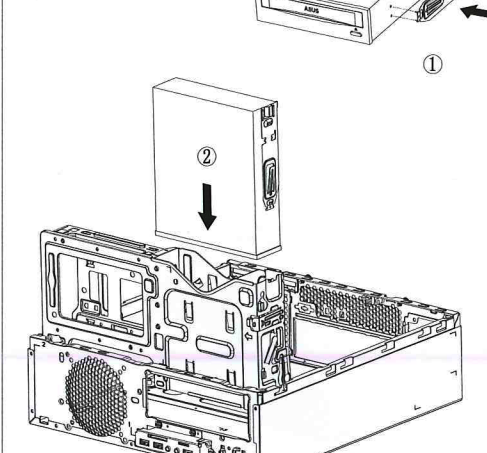
SFF-506 Installation Manual



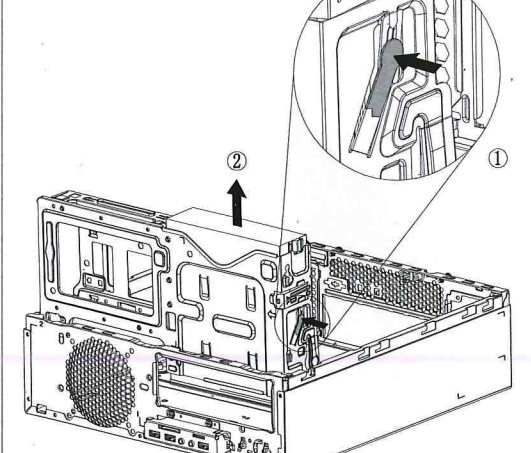
How to disassemble side panel



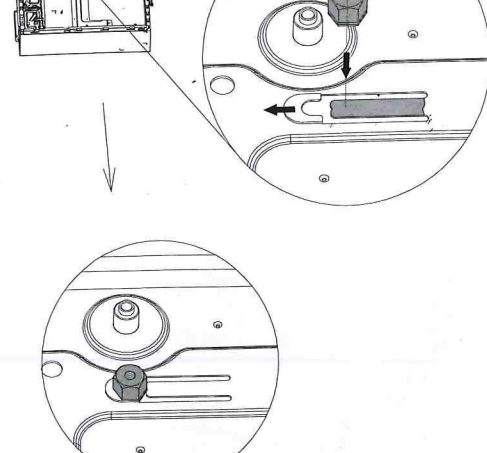
How to disassemble front panel



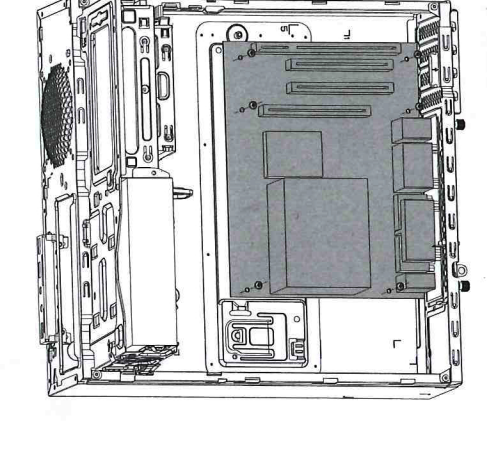
Install CD-Rom



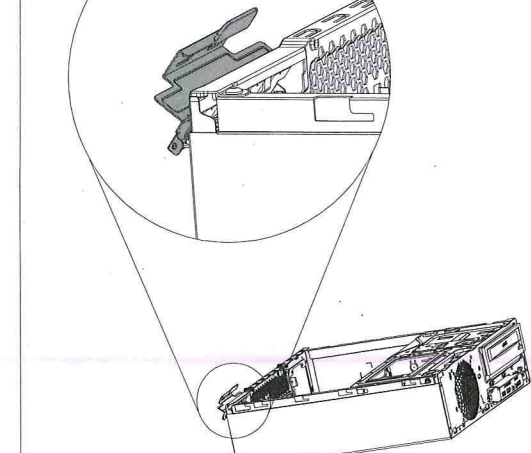
Disassemble CD-Rom



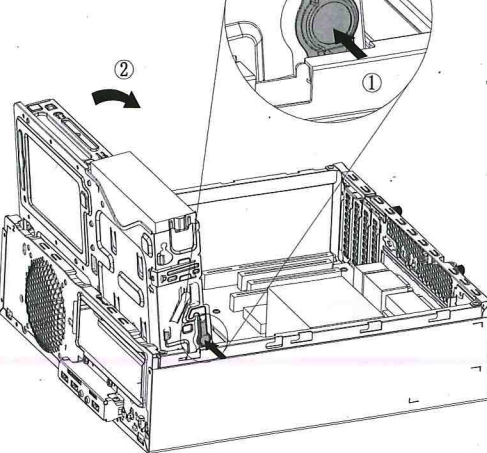
Fix the screws on mainboard



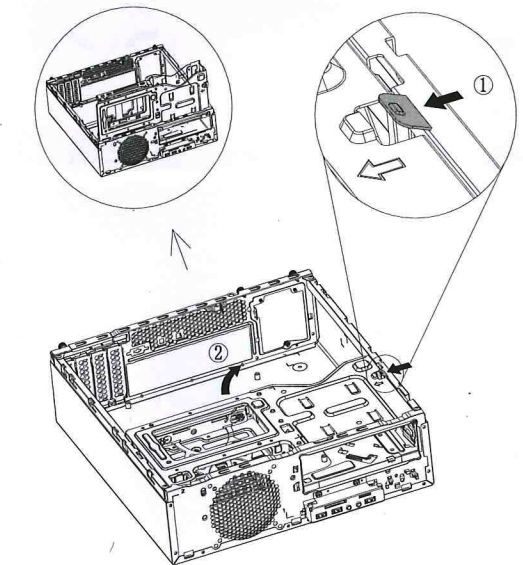
Install mainboard



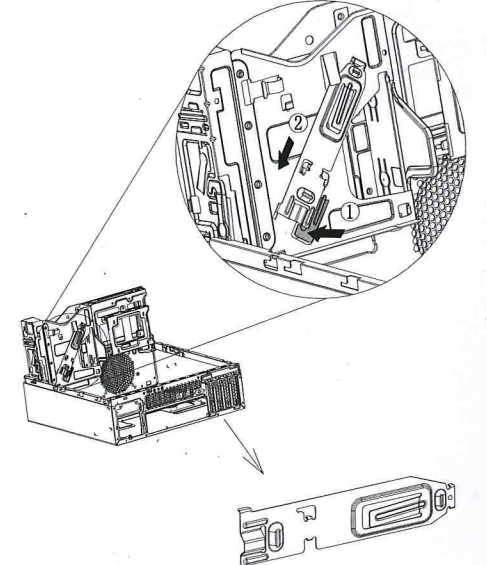
How to install PCI Cards



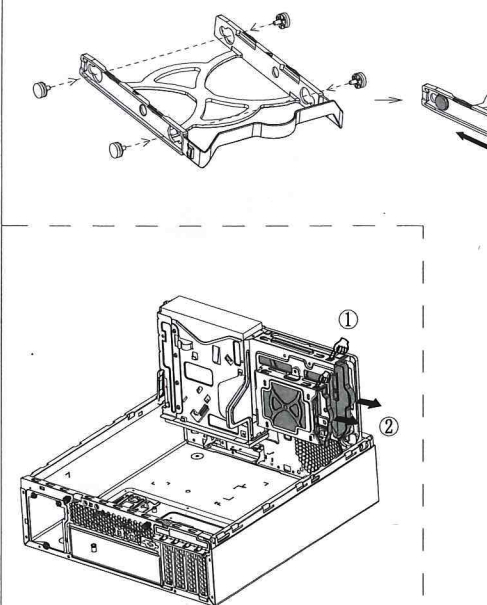
Press ODD lock ①
Close ODD bracket



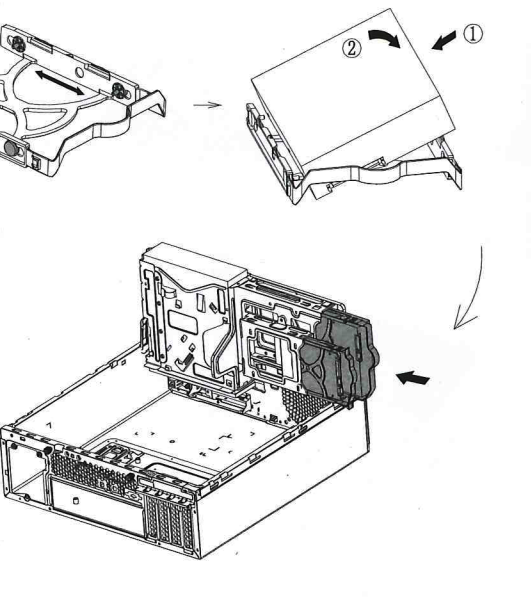
Press the Retaining Clip ①
Pivot the drive bay upward



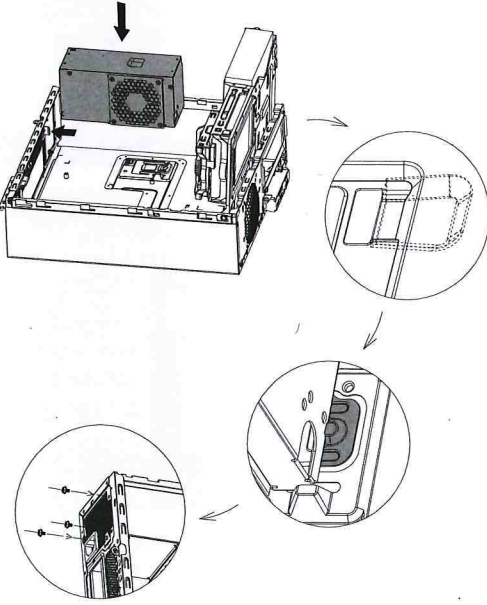
Disassemble ODD Retainer



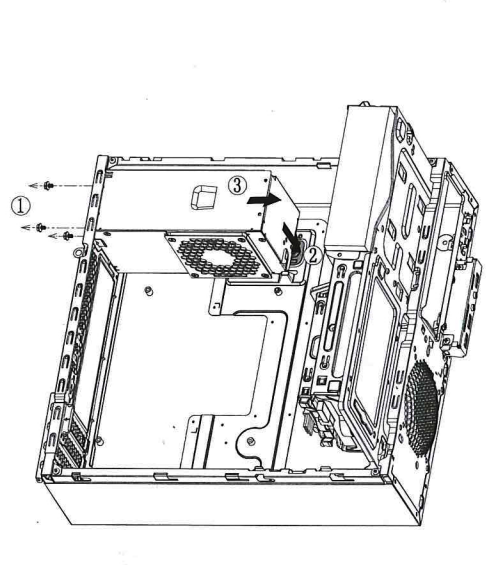
Install 3.5" HDD/2.5" HDD/SSD



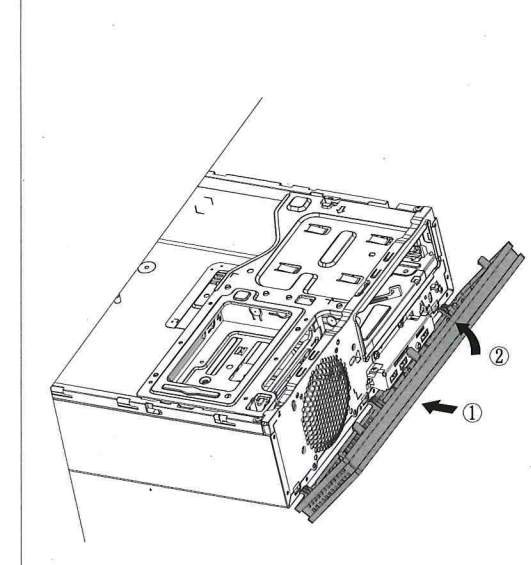
Install power supply



Disassemble power supply



How to install front panel



How to install bottom stand

